

VertiGLASS  
AUTOMATIC GLASS SYSTEMS



**CREATE  
TRANSPARENT  
VIEWS**



www.vertiglass.com.tr

2018

**CREATE  
TRANSPARENT  
VIEWS**

# CONTENTS

**03**

About Us

**13**

DoubleMotion

**05**

SingleMotion

**19**

TripleMotion

**09**

LiftMotion

**25**

Our Documents

# About Us

Vertiglass; is an extremely useful and long-lasting glass system that has emerged as a result of 3-year R & D work. It consists of 4 products; Single Motion, Double Motion, Triple Motion and Lift Motion.

Vertiglass, which gives a new perspective on glass systems, is a vertical engine system, unlike conventional horizontal systems. It provides comfort and great convenience to its user. The features make it possible to use the space for four seasons thanks to the systems preferred in the outdoors.

All production is made in the plant located in Ankara / Turkey. VertiGlass Auto Glass Systems is a Byart Group brand.

“

Our glass focus is to have a clear vision of aesthetics while still achieving space separation and climate control.

”



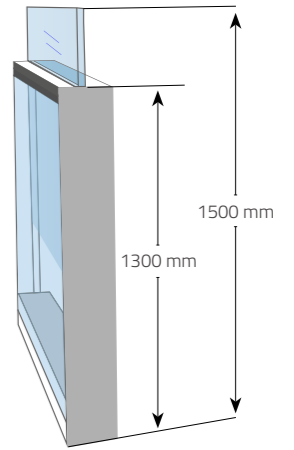
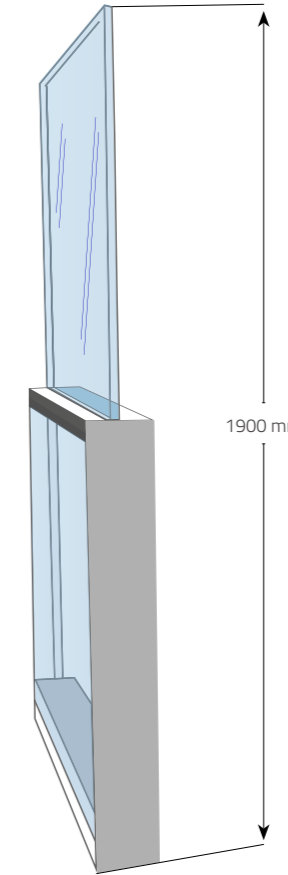
# SingleMotion

Single Motion system is designed as parapets and it can be used both as a railings and a wind breaker. Motor system, which is 1300 mm. parapets, can be upgraded up to 1900 mm.

## TECHNICAL SPECIFICATIONS

- Each system can operate independently
- It can be stopped at any desired point
- 10 mm tempered glass is used
- French Somfy motor is installed
- There is 8 mm gap between two systems
- Wide choice of colors and ability to display logos

## COLORS







# SingleMotion







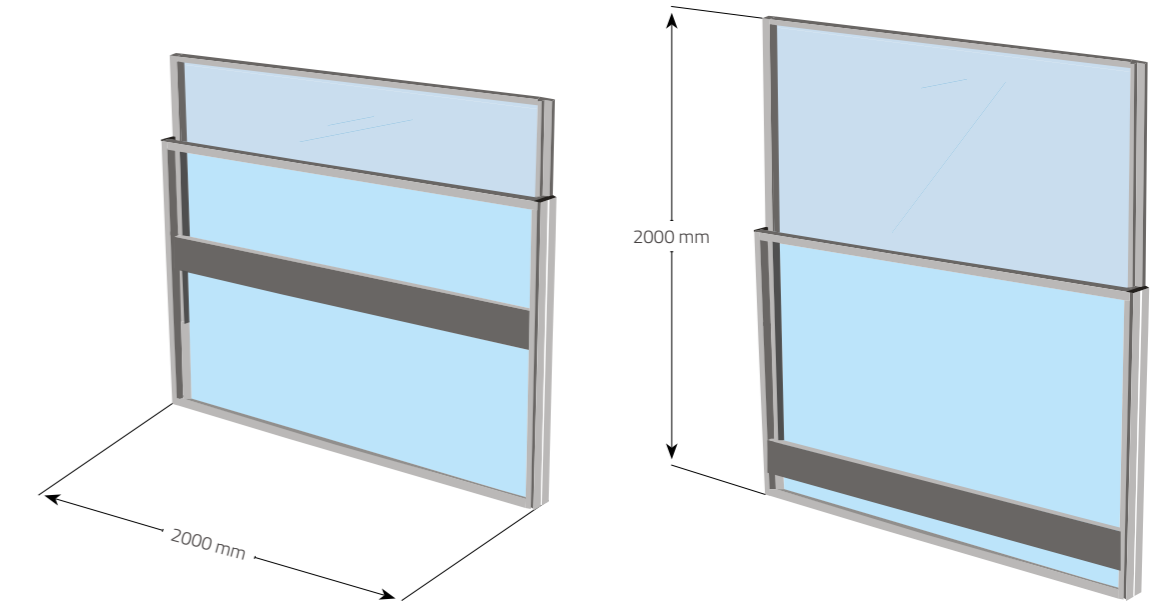
# LiftMotion

LiftMotion is an entirely new concept for height adjustable windscreens. Through this unique product you can maximize the use of your patio/porch and you can easily stop the wind within seconds. With the counter balanced glass you can easily adjust the height of your windscreen and create that snug feeling.

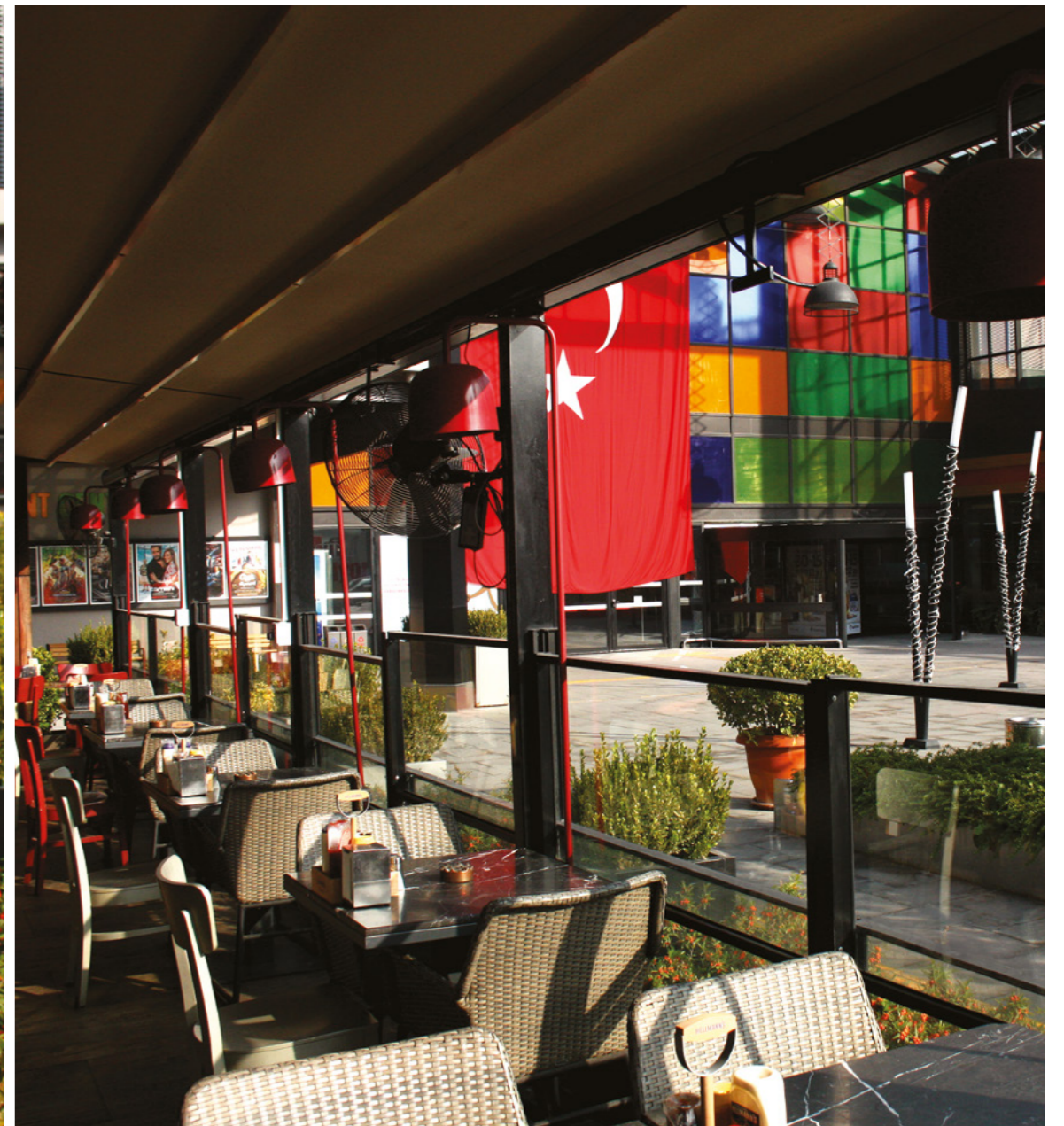
## TECHNICAL SPECIFICATIONS

- Each system can operate independently
- It can be stopped at any desired point
- 8 mm tempered glass is used
- Wide choice of colors and ability to display logos

## COLORS









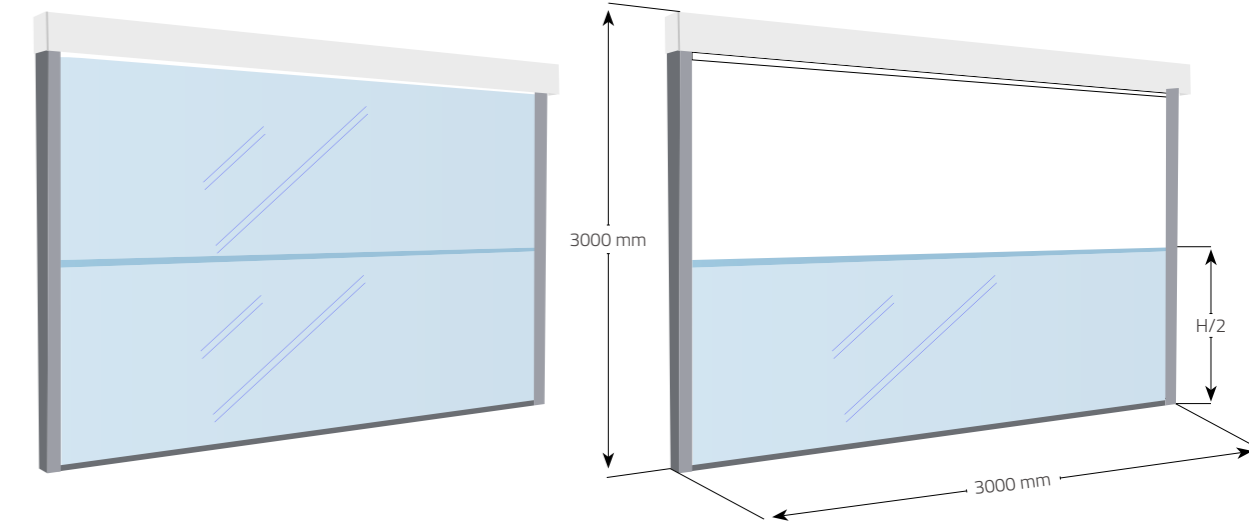
# DoubleMotion

This system provides complete isolation. Half of total height is fixed and the other half is movable. It is ideal for pillared structures. Each module in this motorized system is independent. 10 mm tempered glass is used as a standard.

## TECHNICAL SPECIFICATIONS

- It is an ideal sealing for areas exceeding 2500 mm height. It can be applied up to 3000 mm
- 50% of total height is fixed and the other 50% is vertically moveable
- Moving glass is 10 mm float and tempered
- DoubleMotion system operates with complete (220 v) brand electric motor SOMFY and it is remote controlled with radio signal transmitter
- DoubleMotion system is isolated. Moving glass is stored in the outer part of the fixed glass windows. The gap between two glasses is covered with the inner and outer wick
- Moving glass can be in any desired height. The system quickly folds completely or individually
- 100% waterproof
- Wide choice of colors and ability to display logos
- It provides security without a lock

## COLORS





# DoubleMotion







# DoubleMotion







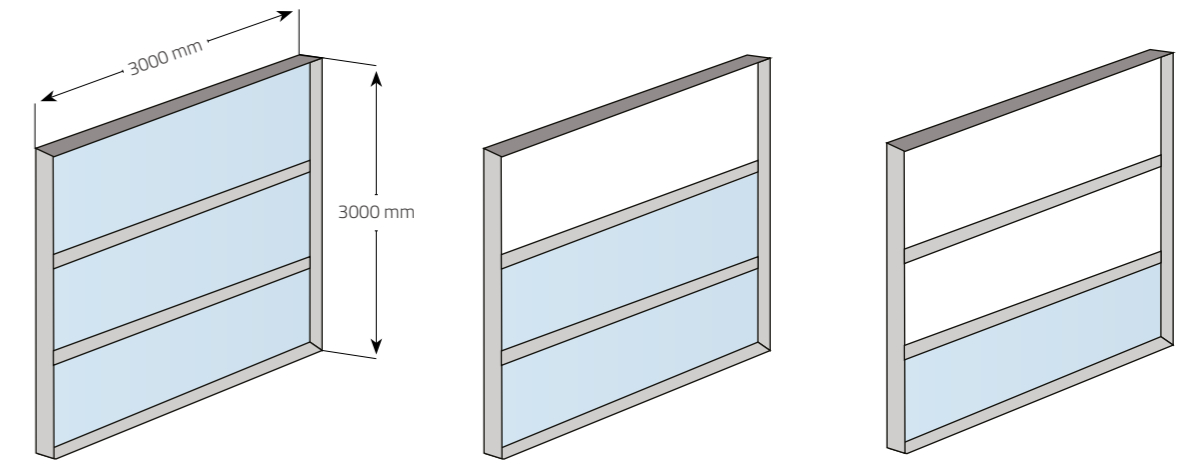
# TripleMotion

TripleMotion Auto Glass System consists of 3 modules. One module is fixed and the other two are movable. 1/3 of total height act as a fixed parapet and 2/3 is movable.

## TECHNICAL SPECIFICATIONS

- 8 mm tempered glass
- Maximum width is 3000 mm
- Maximum height is 3000 mm
- Fully Insulated
- 1/3 of total height act as a fixed parapet and 2/3 is movable
- It provides security without a lock

## COLORS









# TripleMotion





# Our Documents



VertiGLASS  
AUTOMATIC GLASS SYSTEMS  
www.vertiglass.com.tr

Türkocağı Caddesi No: 46 / A-B Balgat - ANKARA/TURKEY

T: +90 (312) 285 39 00 ■ F: +90 (312) 284 30 60

byart@byarttente.com

BYART®  
GROUP  
www.byartgroup.com